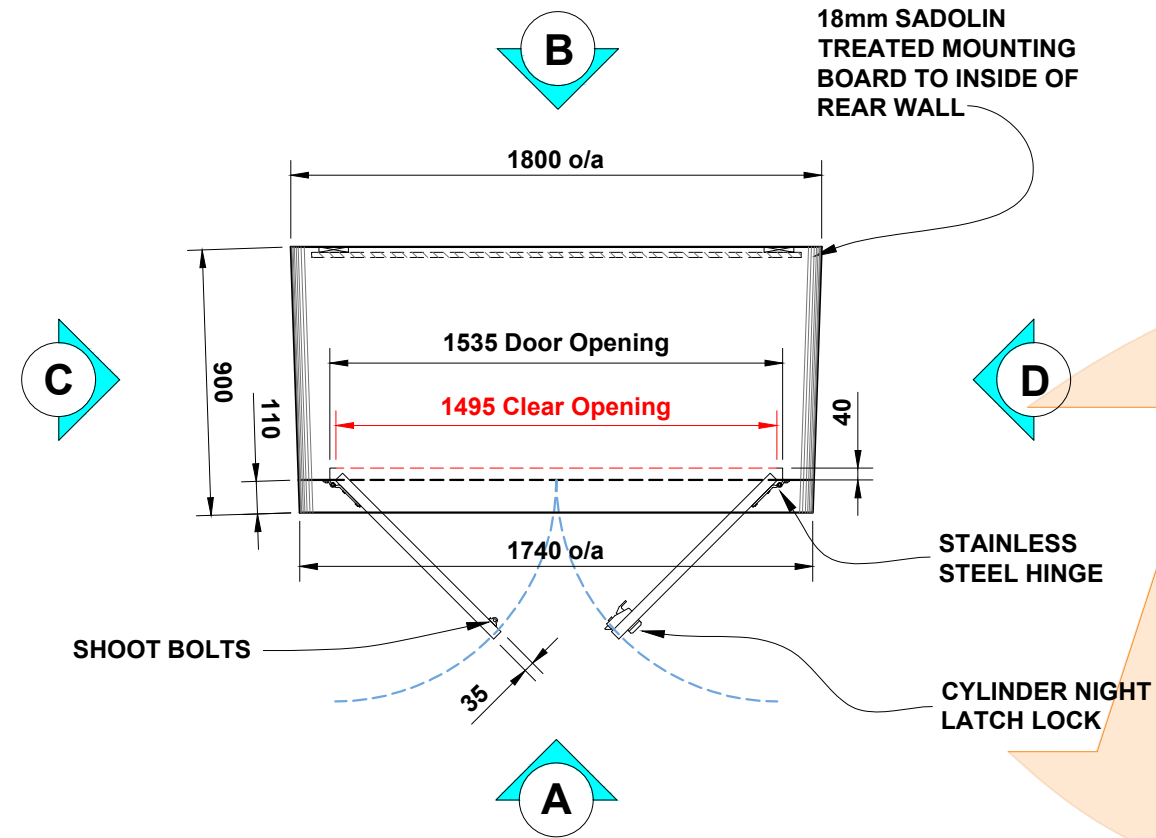
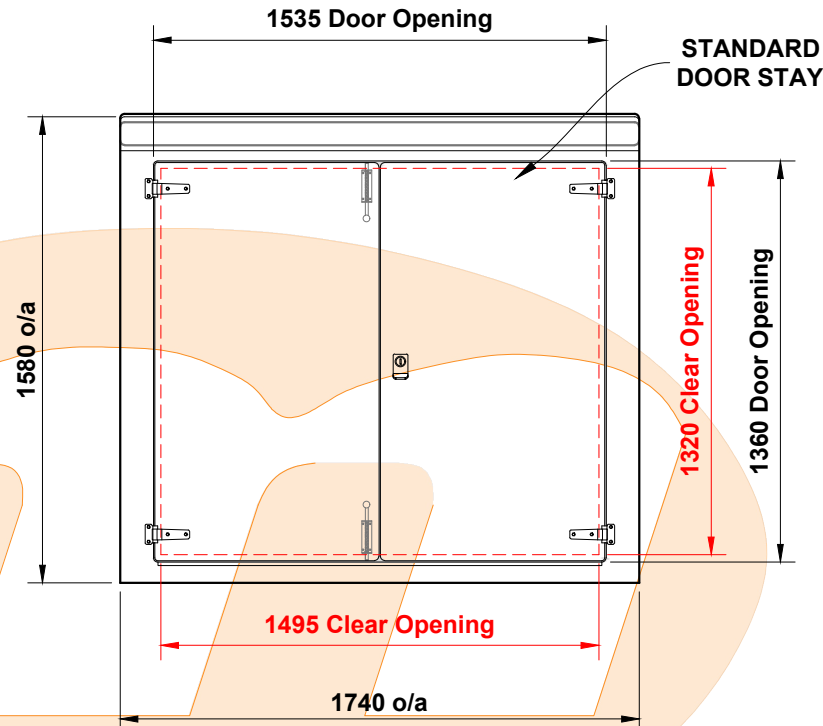


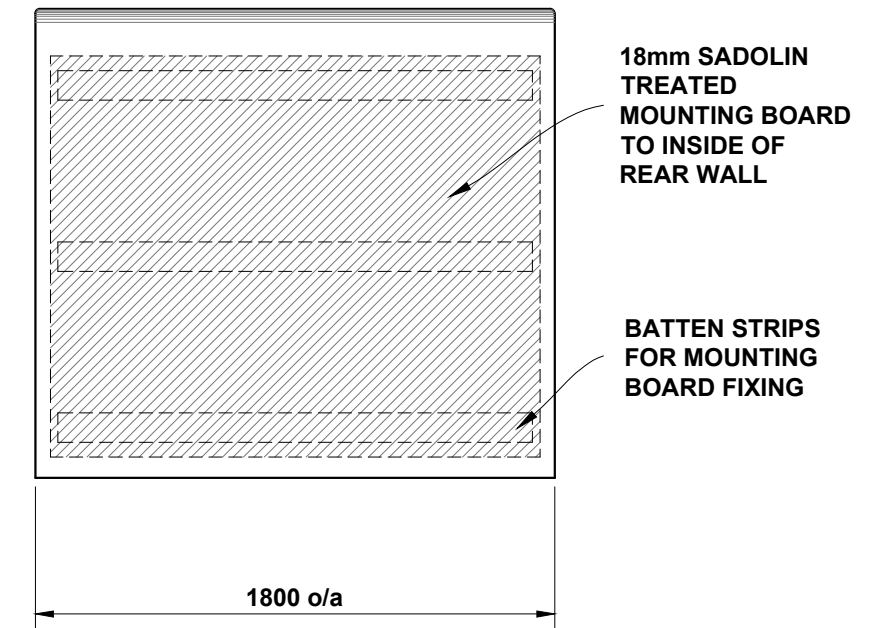
# Plan View Elevation - Roadside Range Type H



# Elevation (A) (front)



# Elevation (B) (rear)

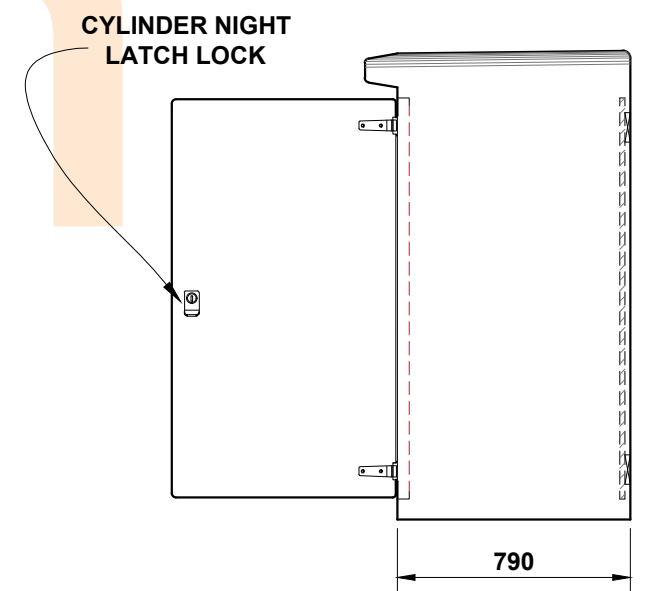
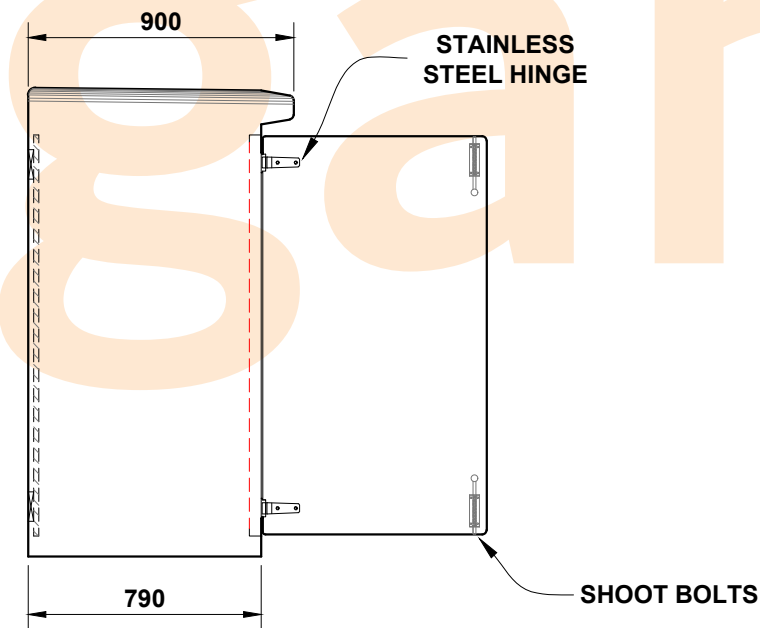
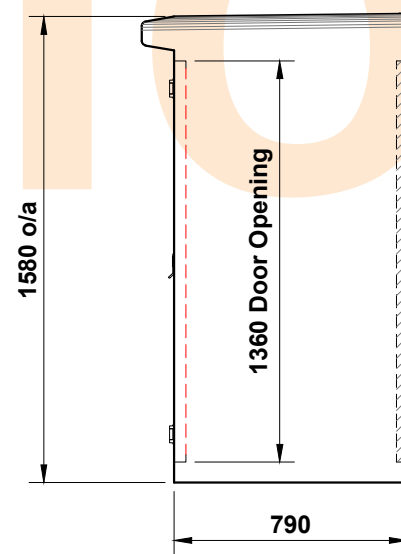
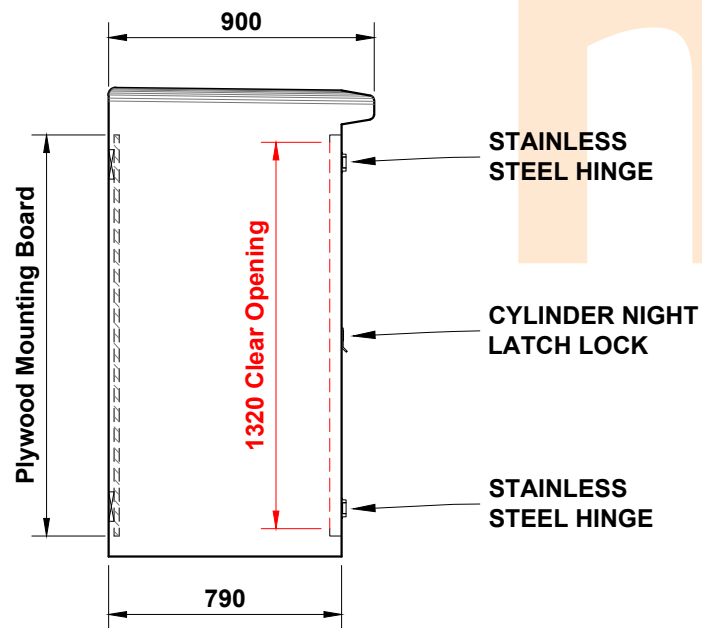


# Elevation (C) (l/h side)

# Elevation (D) (r/h side)

# Elevation (C) (l/h side) Door Open

# Elevation (D) (r/h side) Door Open



**Morgan Marine Limited**

Tel : 01269 850437  
Cilyrychen Industrial Estate, Llandybie,  
Ammanford, SA18 3GY

INTERNAL WIDTH : 1730mm

INTERNAL DEPTH : 730mm

INTERNAL HEIGHT : 1540mm

APPROX. WEIGHT : 200kg

Date : 14/05/2021

Drawn By : D O'Malley

GRP HOUSING : ROADSIDE RANGE TYPE H

Drawing Scale : Not To Scale

Drawing No : TYPE H

Rev :